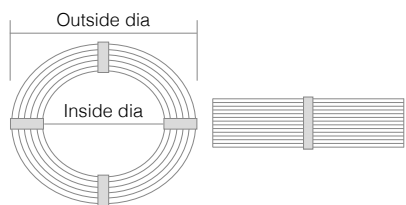


Wrexham Wire offers a range of packaging solutions to suit the product and customers' requirements. All materials used are environmentally friendly, recyclable and sustainably sourced.

COILS



Coil Specification

36" Drawing Block

Outer dia.	1066/1143mm (42/45")
Inside dia.	736/762mm (29/30")
Finished wire dia.	4.8/22.0mm

30" Drawing Block

Outer dia.	838/889mm (33/35")
Inside dia.	635/660mm (25/26")
Finished wire dia.	4.7/15.0mm

Coil Specification

22" Drawing Block

Outer dia.	609/635mm (24/25")
Inside dia.	457/482mm (18/19")
Finished wire dia.	1.2/5.0mm

26/28" Drawing Block

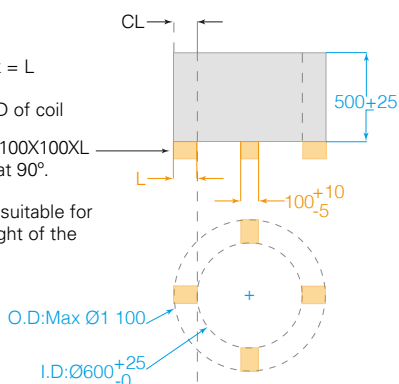
Outer dia.	762/812mm (30/32")
Inside dia.	558/585mm (22/23")
Finished wire dia.	4.7/12.5mm

Fig 2:

Length of block = L
Coil width - CL
- line up with I.D of coil

Wooden blocks 100X100XL
evenly spaced at 90°.

Choose timber suitable for
supporting weight of the
coil safely.



Scramble Wound Coil Dimensions

The coil dimensions are to be as follows

I.D = 600mm -0 +25mm
Coil height = 500mm±25mm
O.D = 1100mm maximum (See Fig 2)

Packaging

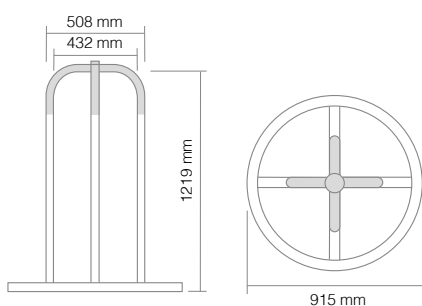
Coils are strapped with 32mm steel
strapping with four lifting eyes and
cardboard protection strips on all straps.

Pay Off Orientation

As per customer requirement clockwise or
anti-clockwise.

Optional - Wooden blocks 100 X 100 X L
as per the drawing (See Fig 2).

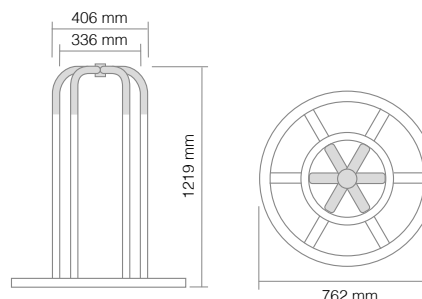
FOUR LEGGED FORMER WITH ROUND BASE



Former Specification

Identification colours	Silver with red top
Base ring outer dia.	915mm (36")
Base ring inner dia.	835mm (33")
Leg width (outside)	508mm (20")
Leg width (inside)	432mm (17")
Former height	1219mm (48")
	1016mm (40")
Top ring outer dia.	66mm x 66mm
Top ring inner dia.	40mm x 40mm
Max weight	1200kg (2645lbs)

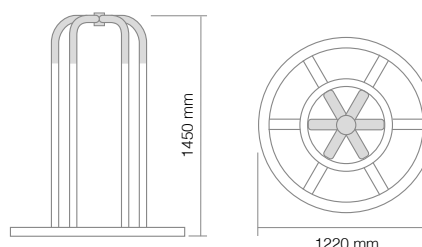
SIX LEGGED FORMER WITH ROUND BASE



Former Specification

Identification colours	Silver with red top
Base ring outer dia.	762mm (30")
Base ring inner dia.	546mm (21.5")
Leg width (outside)	406mm (16")
Leg width (inside)	336mm (13.25")
Former height	1219mm (48")
Top ring outer dia.	66mm x 66mm
Top ring inner dia.	40mm x 40mm
Max weight	1000kg (2204lbs)

JUMBO FORMER WITH ROUND BASE



Former Specification

Height	1450mm (57")
Base	1220mm (48")
Bell	710mm (28")
Tube thickness	42.4mm (1.6")
Max weight	2000kg (4409lbs)

CARDBOARD CORES (PATTERN LAYER WOUND)



Core Specification

Core No. 1

Outer dia.	394mm (15.5")
Inside dia.	381mm (15")
Length	508mm (20")

Core No.2

Outer dia.	394mm (15.5")
Inside dia.	381mm (15")
Length	862mm (34")

Package Specification

Package No.1

Outer dia.	724mm (28.5")
Inside dia.	381mm (15")
Length	508mm (20")
Max weight	550kg (2101lbs)
Finished wire dia.	1.2mm - 5.0mm

Package No. 2

Outer dia.	724mm (28.5")
Inside dia.	381mm (15")
Length	863mm (34")
Max weight	950kg (2090lbs)
Finished wire dia.	1.2mm - 5.0mm